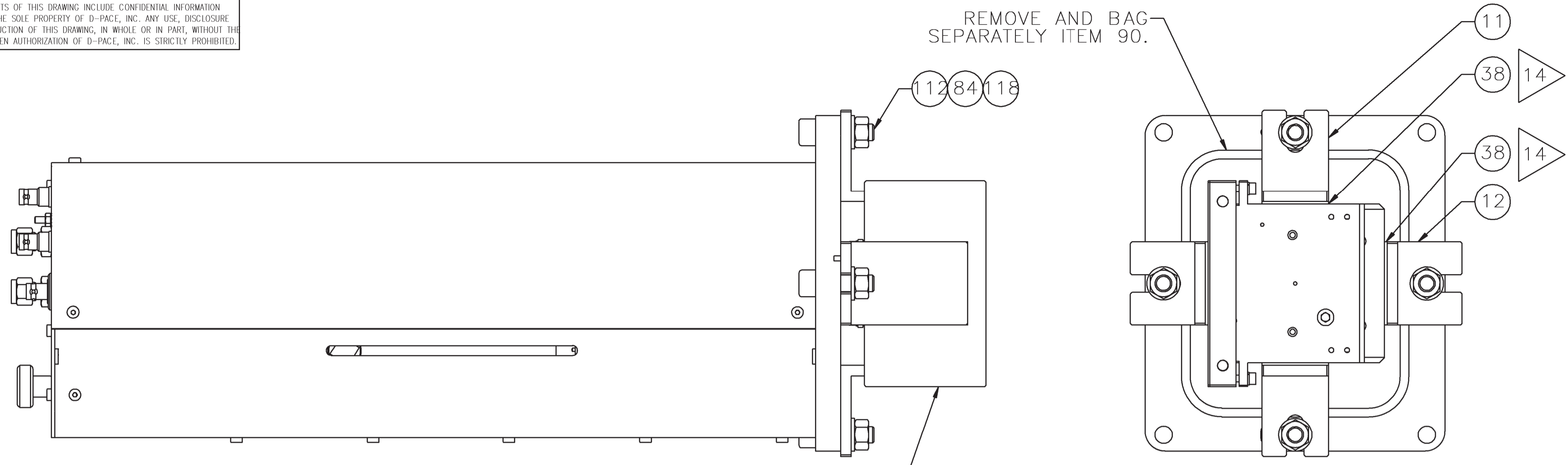


CONFIDENTIALITY  
 THE CONTENTS OF THIS DRAWING INCLUDE CONFIDENTIAL INFORMATION WHICH IS THE SOLE PROPERTY OF D-PACE, INC. ANY USE, DISCLOSURE OR REPRODUCTION OF THIS DRAWING, IN WHOLE OR IN PART, WITHOUT THE PRIOR WRITTEN AUTHORIZATION OF D-PACE, INC. IS STRICTLY PROHIBITED.

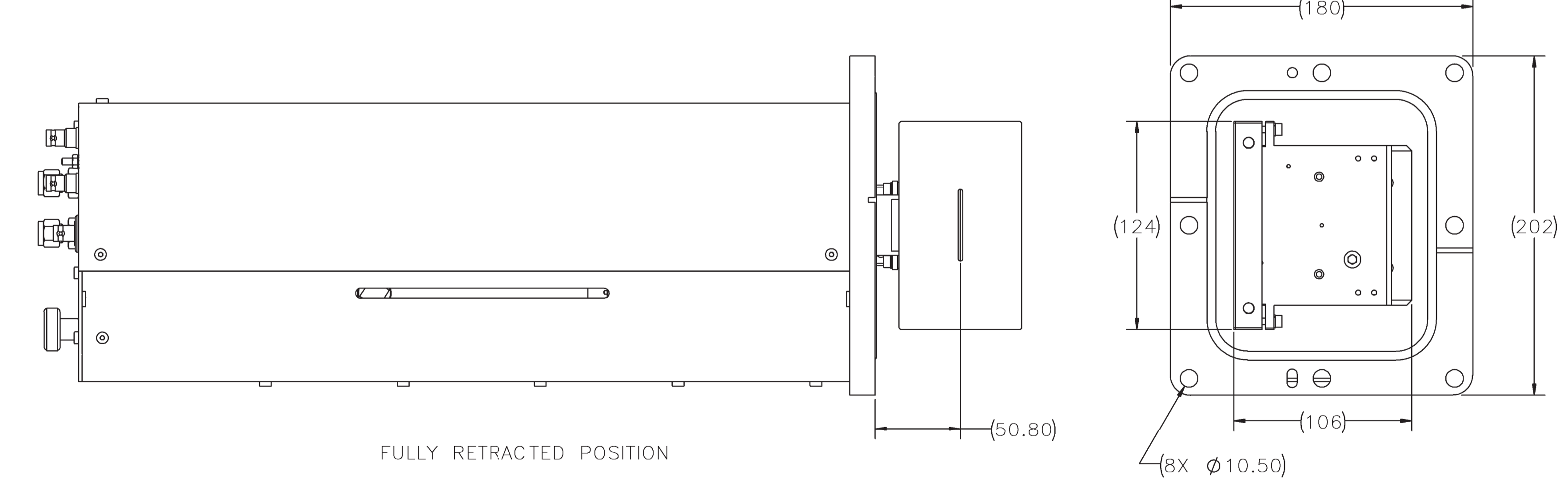
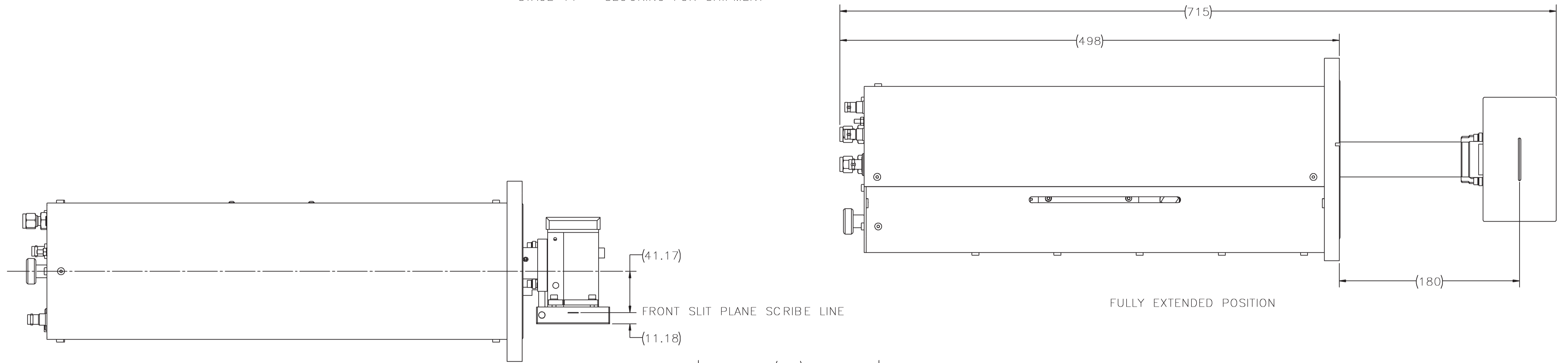
REVISION HISTORY
SEE SHEET 1

REMOVE AND BAG SEPARATELY ITEM 90.



COVER THE SCANNING HEAD WITH A CLEAN POLYETHYLENE BAG AND SET IT IN THE FULLY RETRACTED POSITION WITH THE BRAKE ENGAGED BEFORE INSTALLING THE SHIPPING BRACKETS.

STAGE 11 - SECURING FOR SHIPMENT



KEY DIMENSIONS AND OVERALL SIZE

NOTES CONTINUED:  
 14 ADHERE ITEM 38 TO ITEMS 11 AND 12.

DO NOT SCALE FROM DRAWING METRIC DRAWING ALL DIMENSIONS IN MILLIMETRES	APPROVALS DRAWN S.WITHINGTON 2014-01-17	DATE 2014-06-19	DEHNEL - PARTICLE ACCELERATOR COMPONENTS & ENGINEERING, INC. P.O. BOX 201, NELSON BC, CANADA V1L 5P9 TEL: 250-352-5162 FAX: 250-352-3864
TOLERANCES UNLESS OTHERWISE SPECIFIED	CHECKED T.STEWART 2014-06-19	DESIGN D-PACE 2013-12-09	
LINEAR X ±1 X.X ±0.3 X.XX ±0.1 X.XXX ±0.03	MODELED S.WITHINGTON 2013-12-09	TITLE EMITTANCE SCANNER, ES-4	SIZE A1
ANGULAR ±0.5° SURFACE FINISH 1.6	THIRD ANGLE PROJECTION	ES	DRAWING NO. 1800350
	NEXT ASSY SYSTEM	SCALE 1:2	REV G
	www.d-pace.com	WEIGHT 18.30 kg	SHEET 7 OF 7